



I-15

N

300 W. St.

Challenger
Office

Boyer

COMCAST

SLCC

Revision	By	Appd.	YYMMDD
1	CONSTRUCTION DOCUMENTS		12/18/2020
Issued			YYMMDD

File Name:	Dwn.	Crtd.	Dign.	YYMMDD

Permit/Seal

Client/Project Logo

Client/Project
Comcast

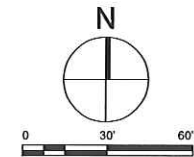
Comcast Sandy TI

9602 South 300 West
Sandy, Utah 84070

Title
SITE PLAN

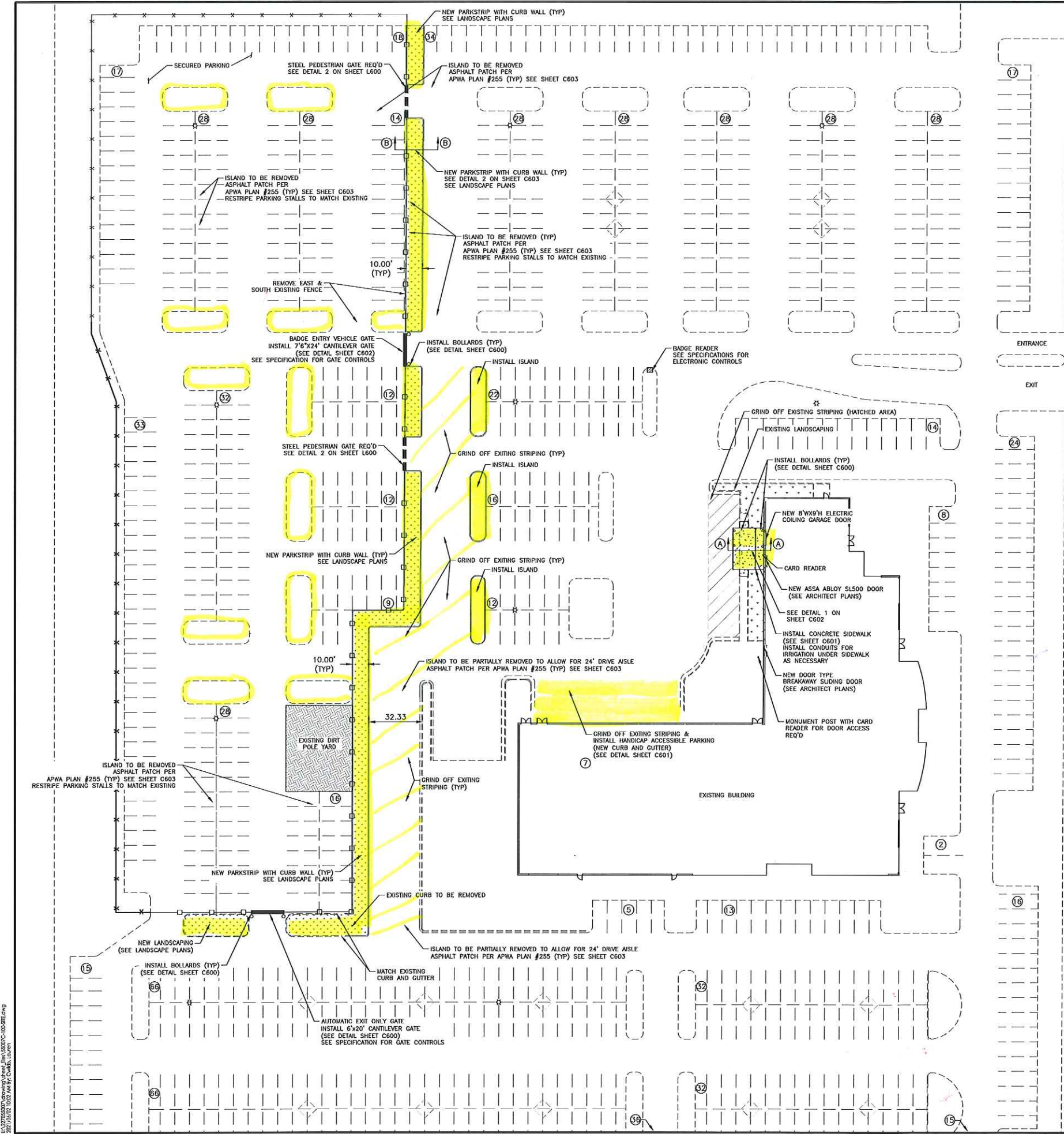
Project No.	Scale	
227055007	1" = 30'-0"	
Drawing No.	Sheet	Revision

C100 of



I-15

S 300 W



RECEIVED
 JUN 02 2021
 SANDY CITY
 COMMUNITY DEVELOPMENT

U:\227055007\community dev\Site\55007-C100-SITE.dwg
 2021/06/02 10:07 AM BY: CHANG, JAVIER

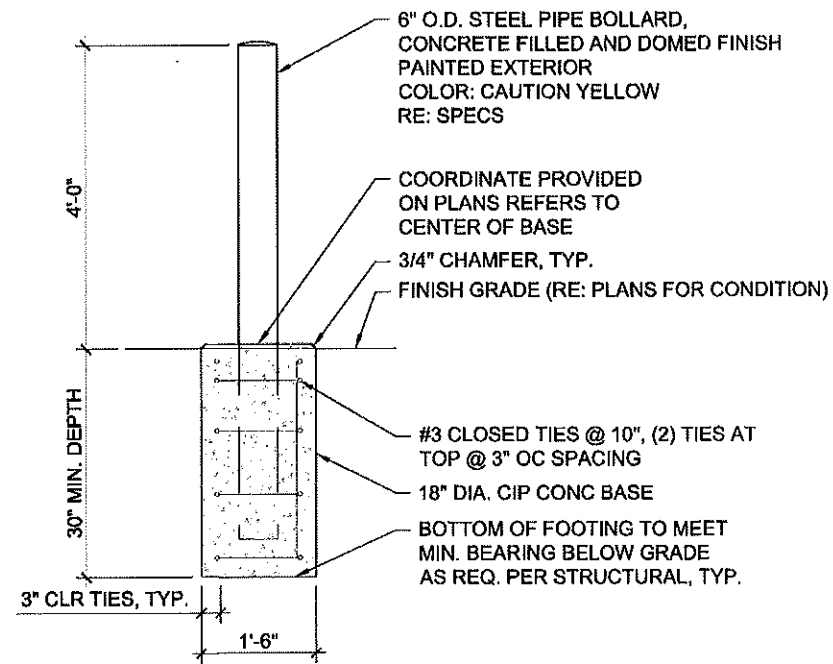
022415-021-ARCH-0

Copyright Reserved

The Contractor shall verify and be responsible for all dimensions. DO NOT scale the drawing - any errors or omissions shall be reported to Stantec without delay. The Copyright in all designs and drawings are the property of Stantec. Reproduction or use for any purpose other than that authorized by Stantec is forbidden.

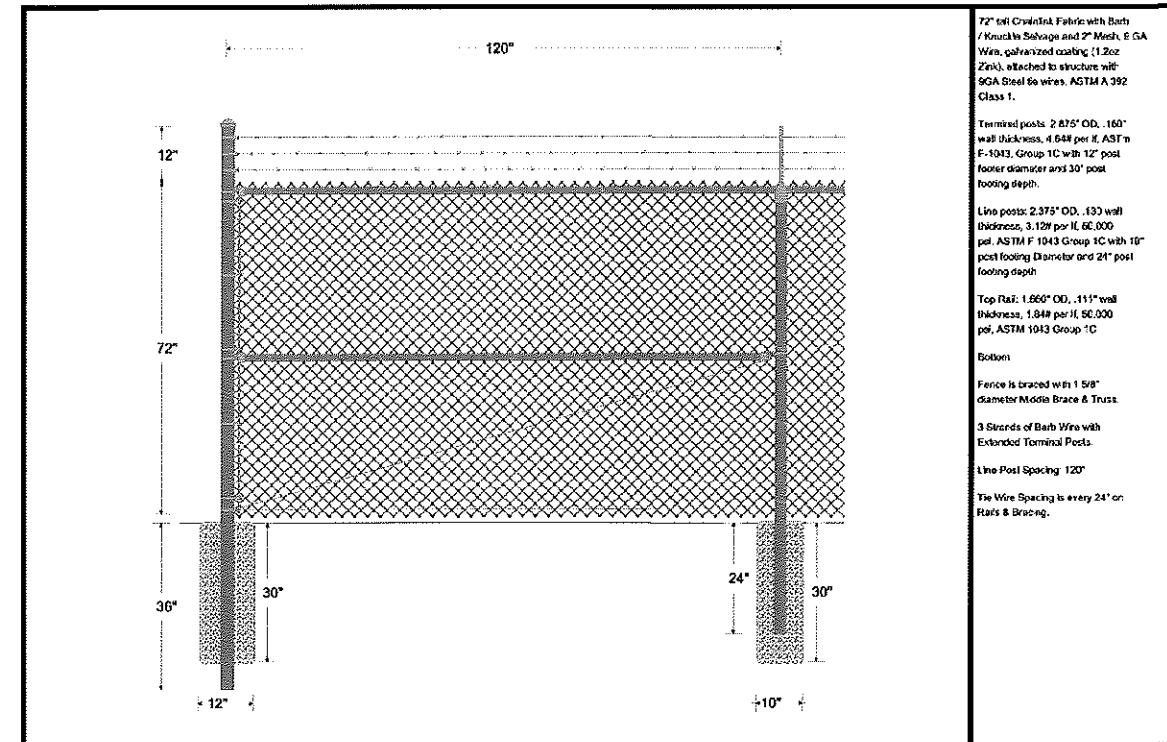
Consultants

Legend

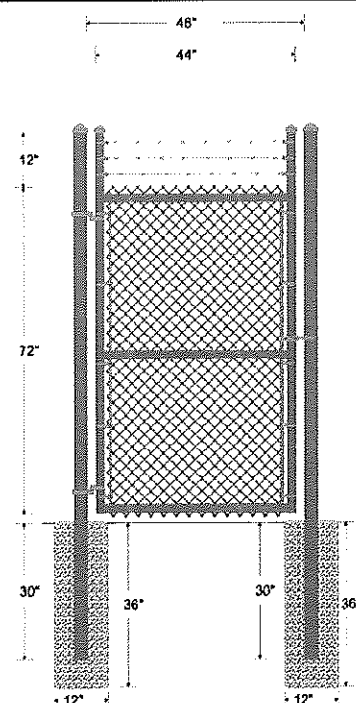


ELEVATION

TYPICAL FIXED BOLLARD



72" CHAINLINK LINE OF FENCE W/ BARBWIRE



72" X 4' CHAINLINK SINGLE SWING GATE W/ BARBWIRE

72" tall Chainlink Fabric with Barb / Knuckle Selvage and 2" Mesh, 9 GA Wire, galvanized coating (1.2oz Zn), attached to structure with 9GA Steel tie wires. ASTM A 392, Class 1.

Hinge / Latch post: 2.875" OD, .150" wall thickness, 4.848 per ft, ASTM F-1043, Group 1C with 12" post footer diameter and 30" post footing depth.

The opening width of the Single Gate is 4'.

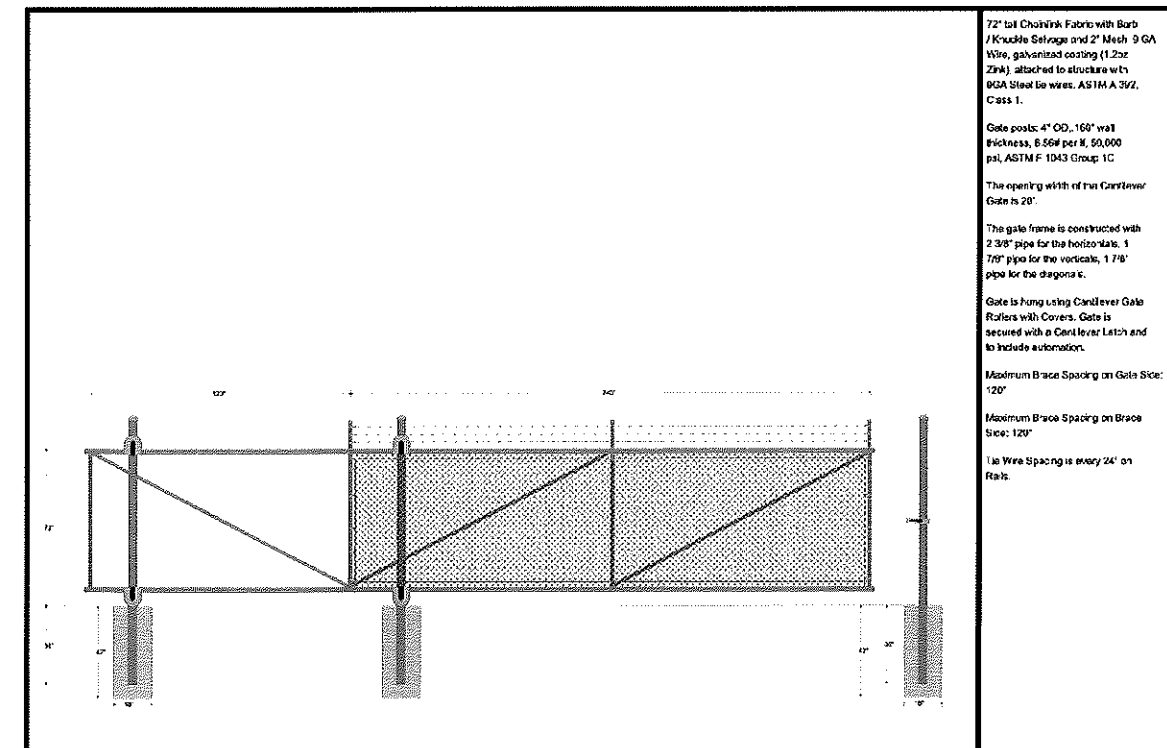
The gate frame is constructed with 1 7/8" pipe.

Gate is braced with 1 7/8" diameter Horizontal Brace.

3 Strands of Barb Wire.

Gate is hung with Self closing Hinges. Access controls by others.

The Wire Spacing is every 24" on Rails.



72" x 20' CHAINLINK CANTILEVER GATE W/ BARBWIRE

72" tall Chainlink Fabric with Barb / Knuckle Selvage and 2" Mesh, 9 GA Wire, galvanized coating (1.2oz Zn), attached to structure with 9GA Steel tie wires. ASTM A 392, Class 1.

Gate posts: 4" OD, .150" wall thickness, 8.568 per ft, 50,000 psi, ASTM F-1043 Group 1C.

The opening width of the Cantilever Gate is 20'.

The gate frame is constructed with 2 3/8" pipe for the horizontal, 1 7/8" pipe for the verticals, 1 7/8" pipe for the diagonals.

Gate is hung using Cantilever Gate Rollers with Covers. Gate is secured with a Cantilever Latch and to include automation.

Maximum Brace Spacing on Gate Side: 120"

Maximum Brace Spacing on Brace Side: 120"

The Wire Spacing is every 24" on Rails.

Revision By Appd. YF/M/00

1 CONSTRUCTION DOCUMENTS 12/18/2020
Issued By Appd. YF/M/00

File Name: Dan, Chd, Dign. YF/M/00

Permit/Seal

Client/Project Logo

Client/Project
Comcast

Comcast Sandy II

9602 South 300 West
Sandy, Utah 84070

Title
SITE DETAILS

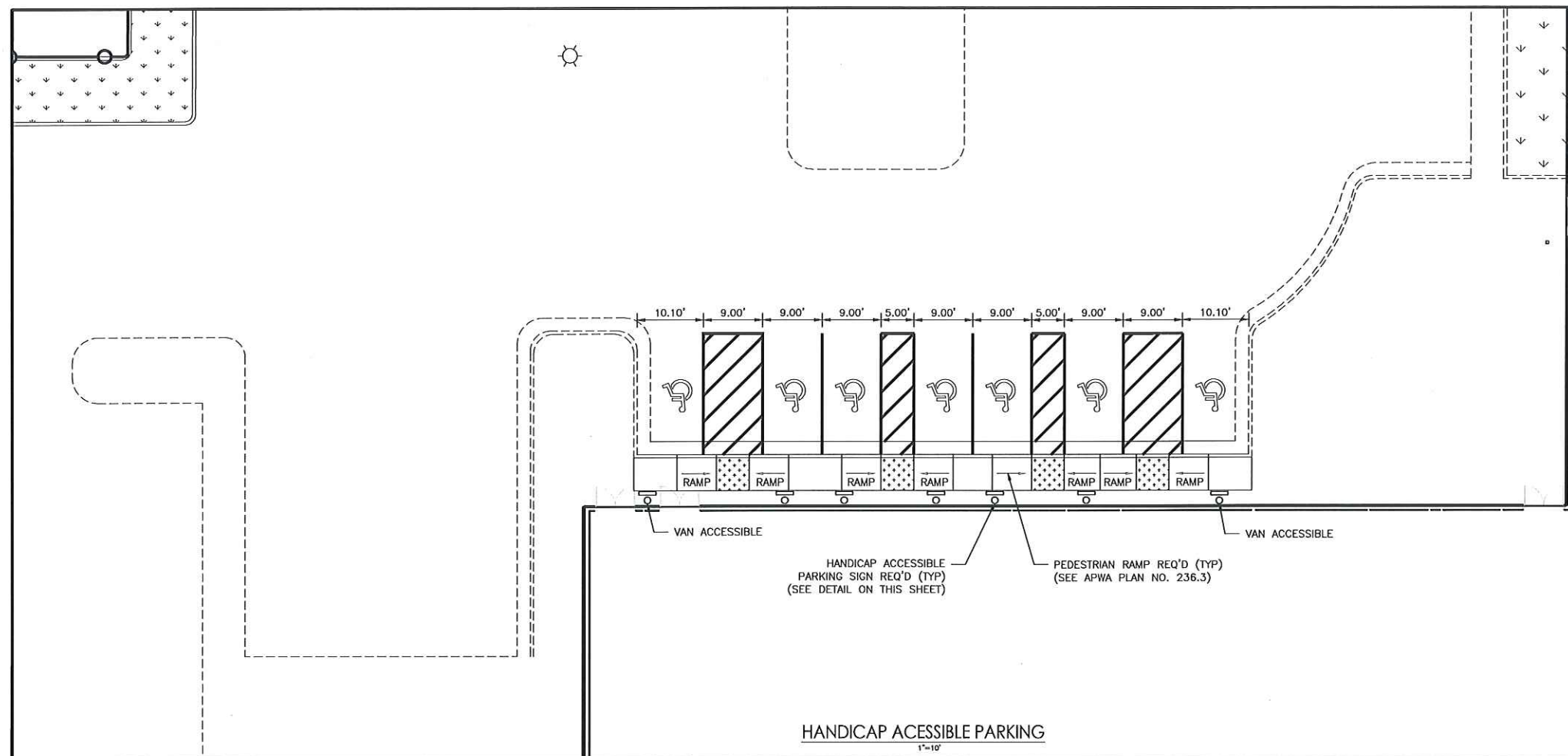
Project No. Scale

227055007

Drawing No. Sheet Revision

C600

of

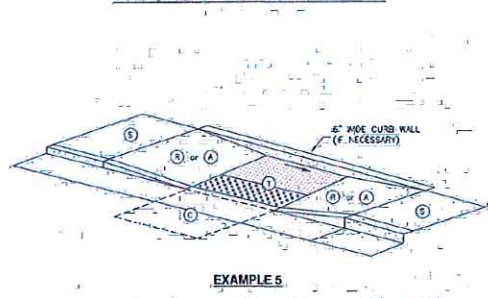


HANDICAP ACCESSIBLE PARKING
1"=10'

Mid-block curb cut assembly

- GENERAL**
 - Where existing elements or spaces are altered to receive an assembly, slopes and dimensions shall comply with slopes and dimensions shown on the drawing, or to the maximum extent feasible permitted by the ENGINEER. Final configuration of the assembly may be different than shown.
 - Installation of a curb wall is ENGINEER'S choice.
 - Definitions and supplemental requirements are specified in APWA Section 32.16.14.
- PRODUCTS**
 - Base Course: Unbreasted base course, APWA Section 32.11.23. Do not use gravel as a base course without ENGINEER'S permission.
 - Expansion Joint Filler: 1/2-inch thick type F1 full depth, APWA Section 32.13.73.
 - Detectable Warning Surface: Paver, ribbed composite panel, or tile. Provide a color that contrasts with adjacent walking surface, either light-on-dark or dark-on-light. ENGINEER to select type and color unless otherwise indicated elsewhere.
 - Concrete: Class 4000, APWA Section 03.30.04.
 - Concrete Curing Agent: Clear membrane forming compound with fugitive dye (Type II Class-A), APWA Section 03.39.02.
- EXECUTION**
 - Base Course Placement: APWA Section 32.05.10. Maximum lift thickness before compaction is 8-inches when using riding equipment or 6-inches when using hand held equipment. Compaction is 95 percent or greater relative to a modified proctor density, APWA Section 31.23.25.
 - Curb Modifications:
 - The sloped surface created to accommodate the ramp or approach areas shall be perpendicular to the back of curb.
 - No grade break shall exist between the flow-line and the turning space. Length of the curb modification at turning space is 4 feet minimum.
 - Curb Ramp: Length not required to exceed 15 feet. Grade breaks are perpendicular to the direction of ramp run and are not permitted on the ramp or turning space surface. Sides are parallel to each other and perpendicular to the ends.
 - Curb Wall: Six feet high wall equal to elevation of extended lateral lines of sidewalk.
 - Concrete Placement: APWA Section 03.30.10.
 - Maximum length to width ratio for rectangular panel joints is 1.5 to 1. Joint spacing measured in feet not to exceed twice slab thickness measured in inches or a maximum of 15 feet.
 - Install expansion joints vertical, full depth, with top of filler set flush with concrete surface. Install contraction joints vertical, 1/8-inch wide, and 1/4 of the depth of the concrete slabwork.
 - Provide 1/2-inch radius edges. Apply a broom finish. Apply a curing agent.
 - Clear Space: No trip hazards in the clear space.

TURNING SPACE AT STREET LEVEL

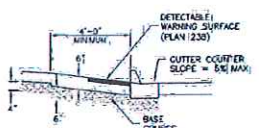


ELEMENT	DIMENSION
(1) (2)	14 FEET MINIMUM
(3) (4)	2 FEET SQUARE MINIMUM

TABLE OF DIMENSIONS

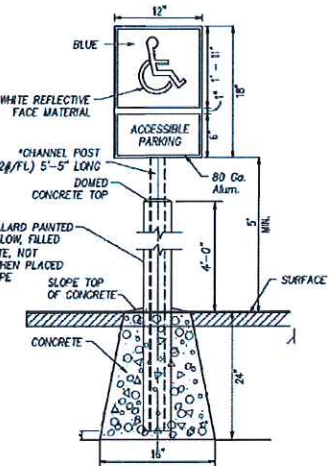
TERMINUS SPACE	BARRING		CROSS SLOPE (6) MAXIMUM
	SLOPE (5)	MINIMUM	
(1) STREET GRADE	2	2	2
(2) CURB RAMP	0.33	2	2
(3) CLEAR SPACE	0	5	STREET GRADE
(4) SIDEWALK	0	STREET GRADE	2
(5) APPROACH	0	0.33	2

- (a) RUNNING SLOPE IS IN THE DIRECTION OF PEDESTRIAN TRAVEL. RUNNING SLOPE OF PLAGE IS PARALLEL TO BACK OF CURB
(b) CROSS SLOPE IS PERPENDICULAR TO DIRECTION OF PEDESTRIAN TRAVEL



MATERIALS

APWA PLAN NO. 236.3 MID-BLOCK CURB CUT ASSEMBLY
N/S

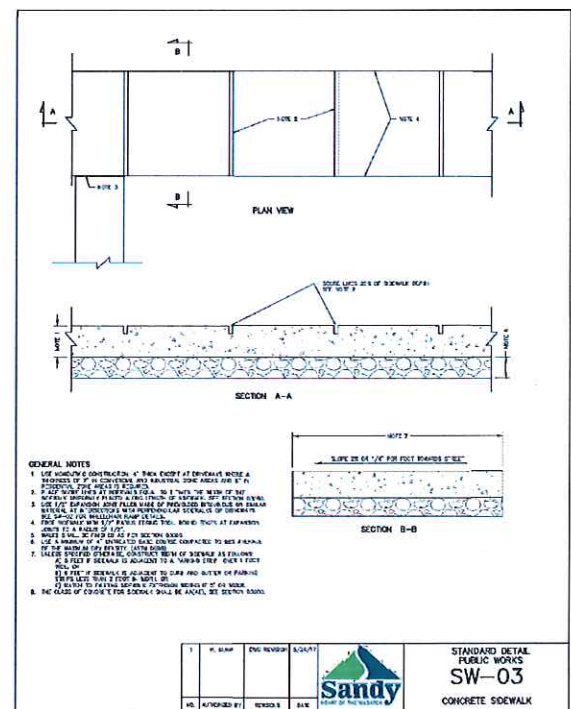


ANSI 4.28.5 FINISH AND CONTRAST THE CHARACTERS, SYMBOLS AND BACKGROUND OF SIGN SHALL BE EGGSHELL WHITE, OR OTHER NON-GLARE FINISH. CHARACTERS AND SYMBOLS SHALL CONTRAST WITH THEIR BACKGROUND, WITH EITHER LIGHT CHARACTERS ON A DARK BACKGROUND OR DARK CHARACTERS ON A LIGHT BACKGROUND.

*POST TO BE PRE-PANDED GALVANIZED STEEL

* ADD "VAN" PARKING SIGN WHERE APPROPRIATE
PLACE THESE SIGNS ON BUILDING OR IN FRONT OF ALL ACCESSIBLE PARKING STALLS

HANDICAP ACCESSIBLE PARKING SIGN
N/S



STANDARD DETAIL
PUBLIC WORKS
SW-03
CONCRETE SIDEWALK

Revision	By	Appd.	YYMMDD
1	CONSTRUCTION DOCUMENTS		12/18/2020

Permit/Seal

Client/Project Logo

Client/Project Comcast

Comcast Sandy IT

9602 South 300 West
Sandy, Utah 84070

Title
SITE DETAILS

Project No. 227055007

Scale

Drawing No. C601

Sheet of

Revision

Scale

Sheet of

Revision

Scale

Sheet of

Revision

Scale

Sheet of

Revision

Scale

Sheet of

Revision

Scale

Sheet of

Revision

Scale

Sheet of

Revision

Copyright Reserved

The Contractor shall verify and be responsible for all dimensions. DO NOT scale the drawing - any errors or omissions shall be reported to Stantec without delay.
The Copyrights to all designs and drawings are the property of Stantec. Reproduction or use for any purpose other than that authorized by Stantec is forbidden.

Consultants

Legend

Revision	By	Appd.	Y/M/D
1	CONSTRUCTION DOCUMENTS		12/18/2020
Issued			
File Name:	Dwn.	Chkd.	Dgn.

Permit/Seal

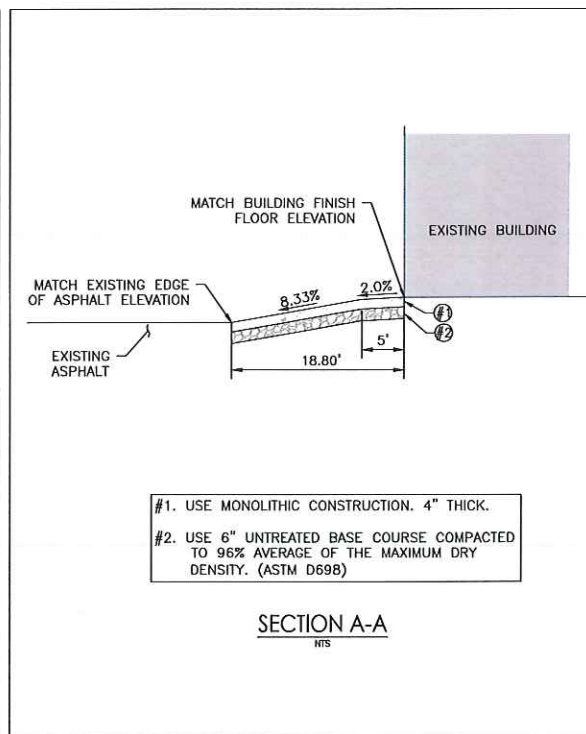
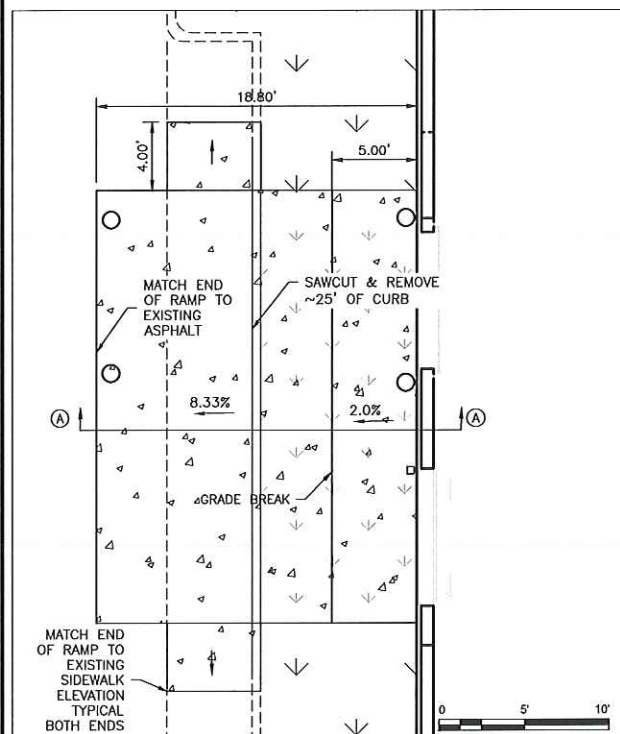
Client/Project Logo

Client/Project
Comcast

Comcast Sandy II

9602 South 300 West
Sandy, Utah 84070
Title
SITE DETAILS

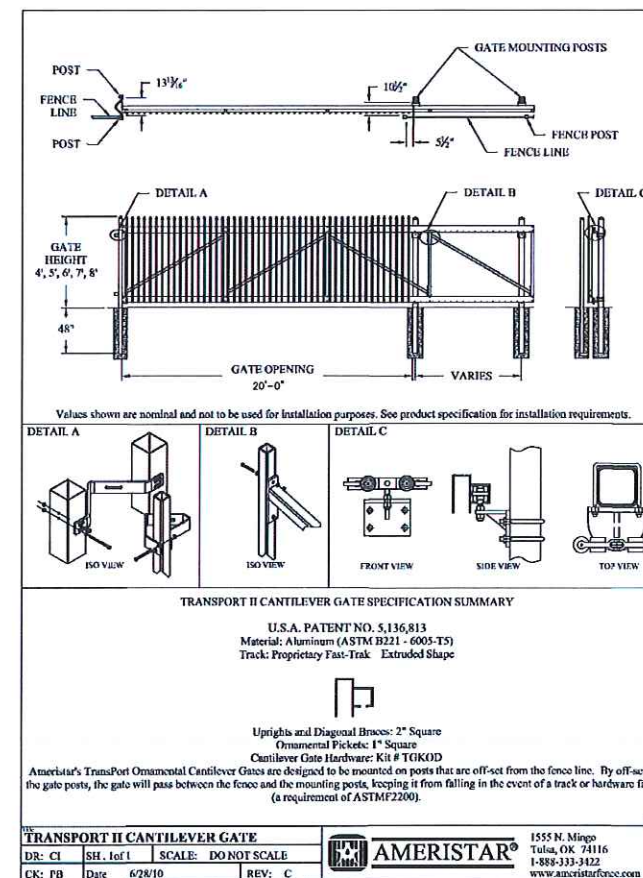
Project No.	Scale
227055007	
Drawing No.	Sheet of
C602	Revision



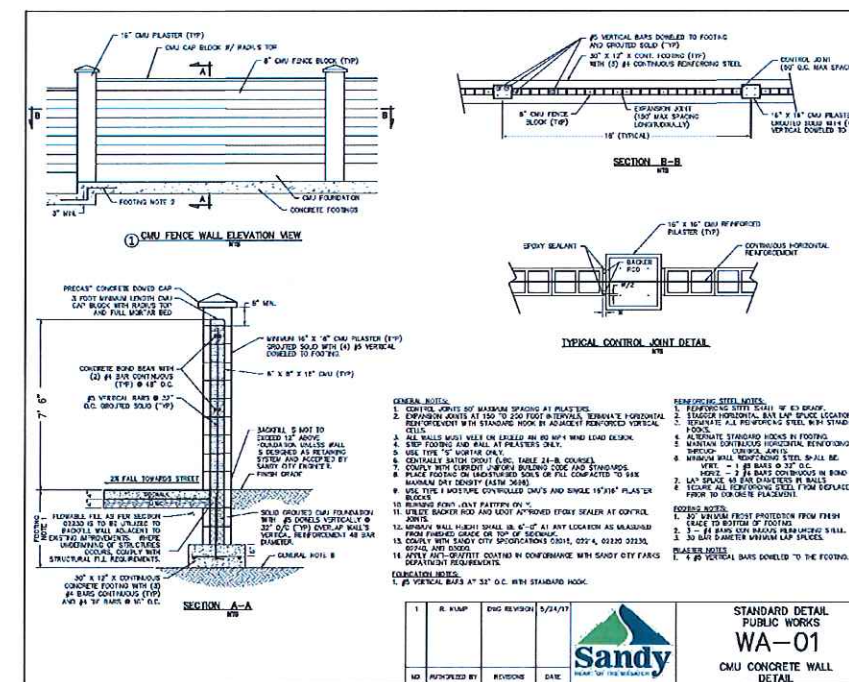
- #1. USE MONOLITHIC CONSTRUCTION. 4" THICK.
- #2. USE 6" UNTREATED BASE COURSE COMPACTED TO 96% AVERAGE OF THE MAXIMUM DRY DENSITY. (ASTM D698)

SECTION A-A
NTS

DETAIL 1



DECORATIVE FENCE - VEHICLE GATE



ALL BLOCK TO BE SPLIT FACE.
CONTRACTOR TO PROVIDE SAMPLE FOR APPROVAL OF COLOR, BEFORE INSTALLATION.

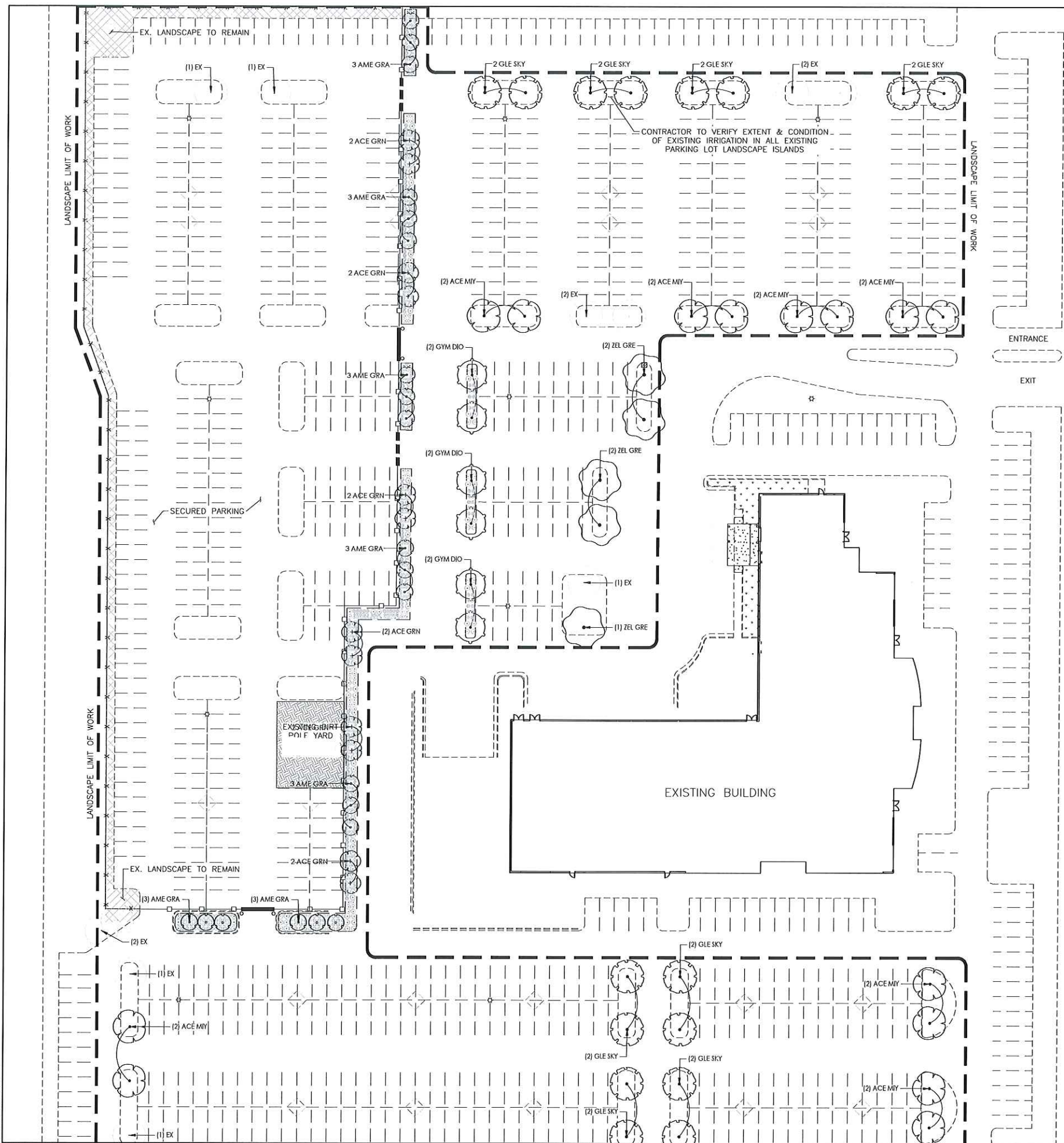
BLOCK WALL DETAIL

NTS

Revision	By	Appd.	YYMMDD	
Preliminary Review - Layout & Planting Update	RB		21.06.02	
Preliminary Review	RB		21.03.23	
Issued	By	Appd.	YYMMDD	
File Name:	Dirn.	Chkd.	Dgn.	YYMMDD

**PRELIMINARY
NOT FOR
CONSTRUCTION**

Not for permits, pricing or other official purposes. This document has not been completed or checked and is for general information or comment only.



S 300 W

I-15

U:\2021\227055007\Drawings\Comcast Sandy\LD\Design\01_Land\Sheet\227055007-LP100-LANDSCAPE PLANTING.dwg
 2021/06/02 09:17 AM by: [Redacted]