



LedgeStone
HOME DESIGN

www.ledgestonedesign.com

9363 S GRAND TETON DR.
WEST JORDAN, UT

CUSTOM NEW HOME
& REMODELING
DESIGN

801.897.5249
info@ledgestonedesign.com

Revisions:

A
B
C
D

3plex concept PLAN

3898 S. SIGMA DR (8215 W)
MAGNA, UT 84044

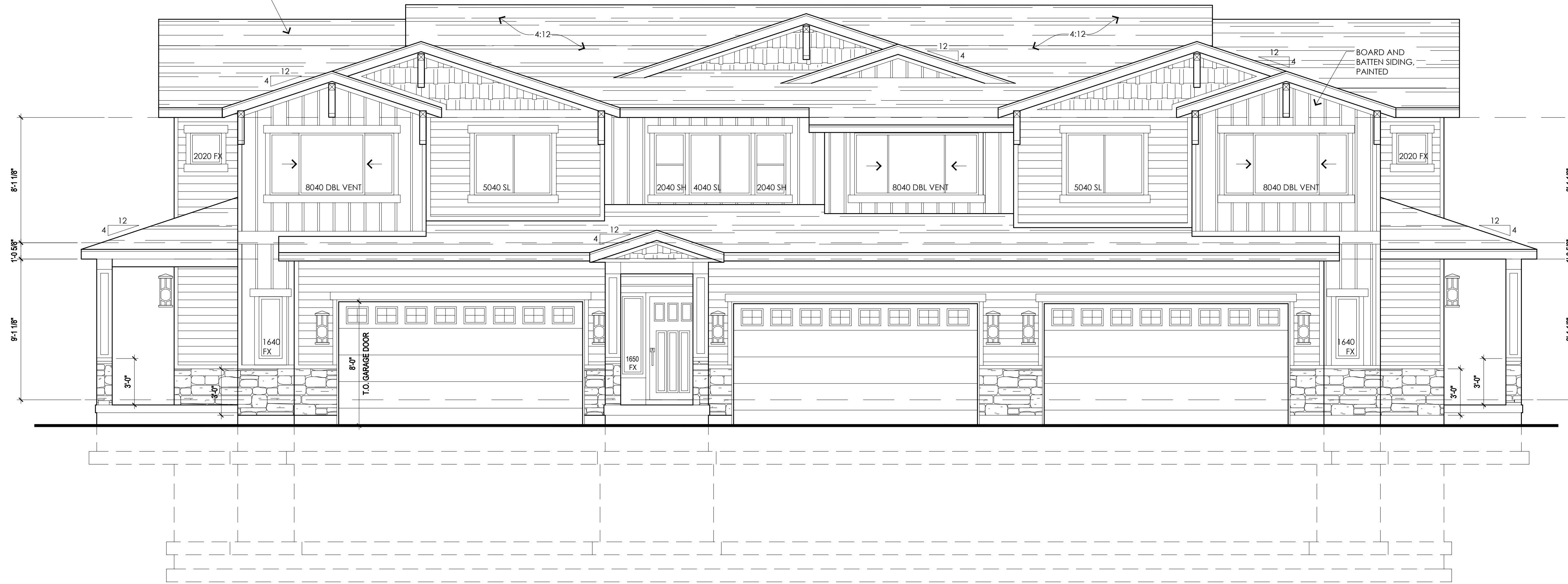
ELEVATIONS

Drawn by:
MRW / MDW
Rev Date:
11/12/2018
Plan Name:
1377 PLAN
MOORE HOMES
Release:
06/15/2018

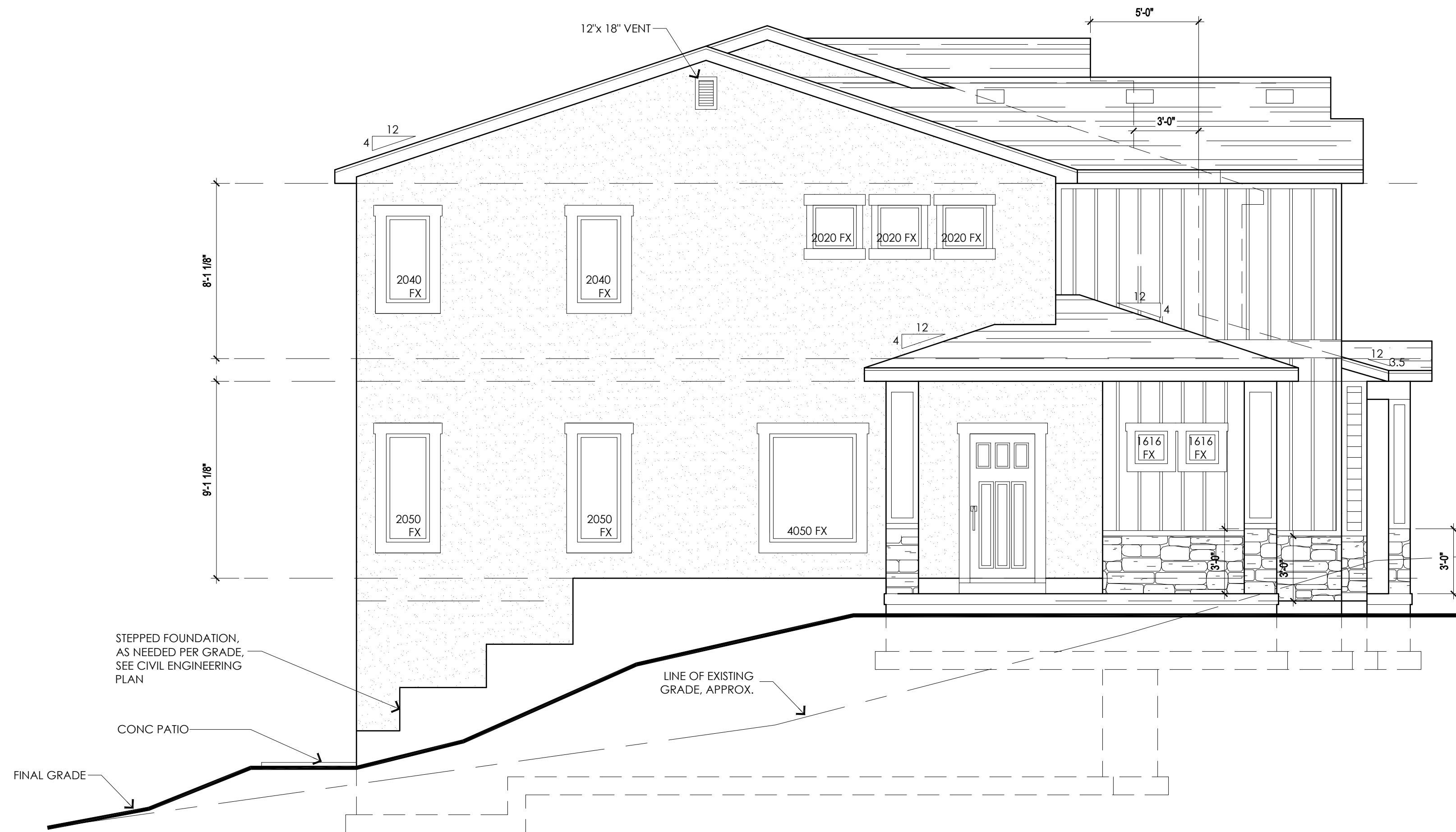
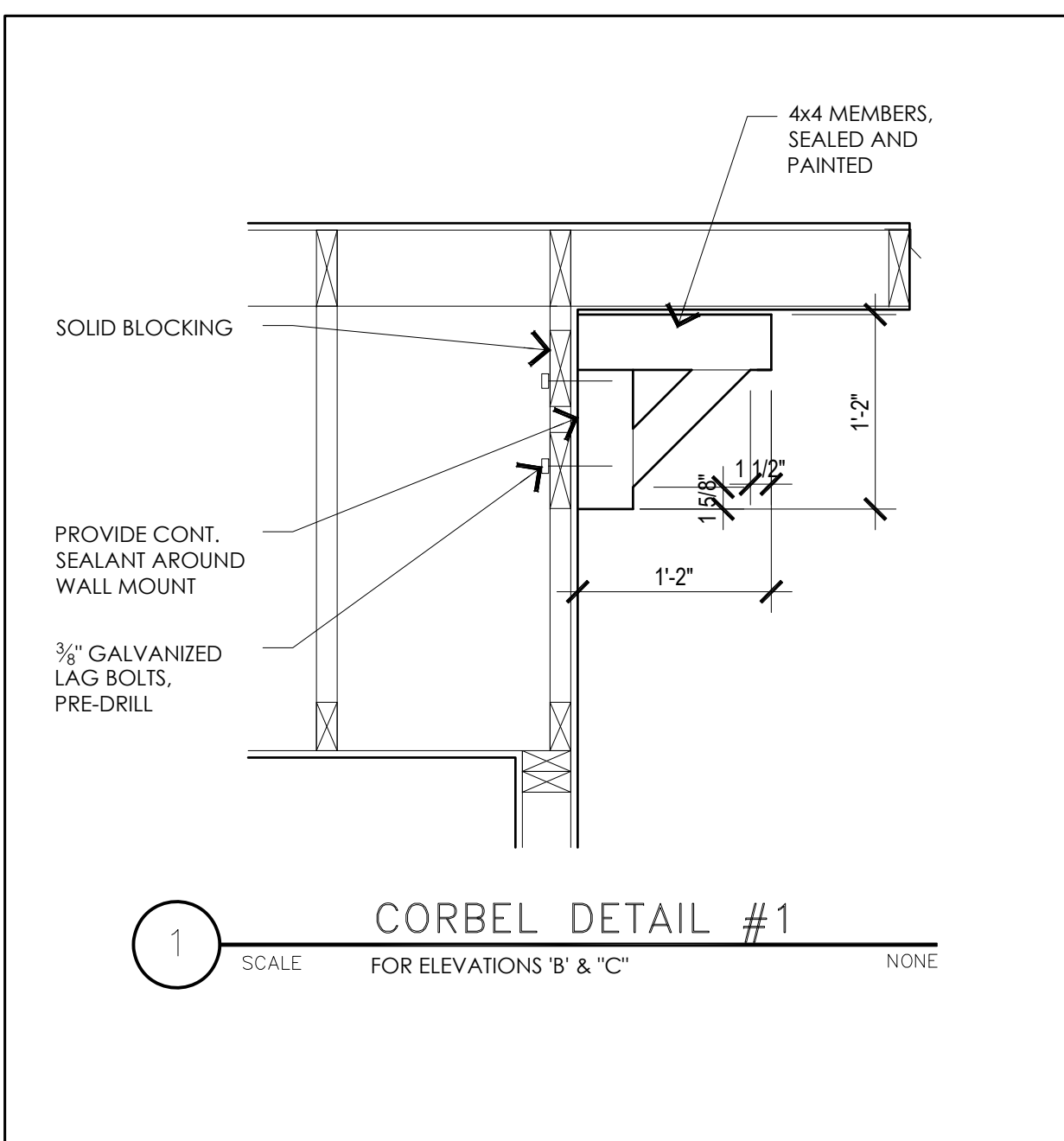
A2.1

THESE DRAWINGS ARE THE PROPRIETARY WORK PRODUCT AND PROPERTY OF LEDGESTONE FOR THE EXCLUSIVE USE ON THIS PARTICULAR RESIDENCE. USE OF THESE DRAWINGS AND CONCEPTS CONTAINED THEREIN WITHOUT EXPRESS WRITTEN PERMISSION BY LEDGESTONE IS PROHIBITED.

30 YEAR ARCH SHINGLE, TYP.
OVER #15 FELT OVER 7/16 OSB
SHEATHING W/ ICE & WATER
SHIELD @ EAVES & VALLEYS



FRONT ELEVATION



LEFT ELEVATION



LedgeStone
HOME DESIGN

www.ledgestonedesign.com

9363 S GRAND TETON DR.
WEST JORDAN, UT

CUSTOM NEW HOME
& REMODELING
DESIGN

801.897.5249
info@ledgestonedesign.com

Revisions:

A
B
C
D

3plex concept PLAN

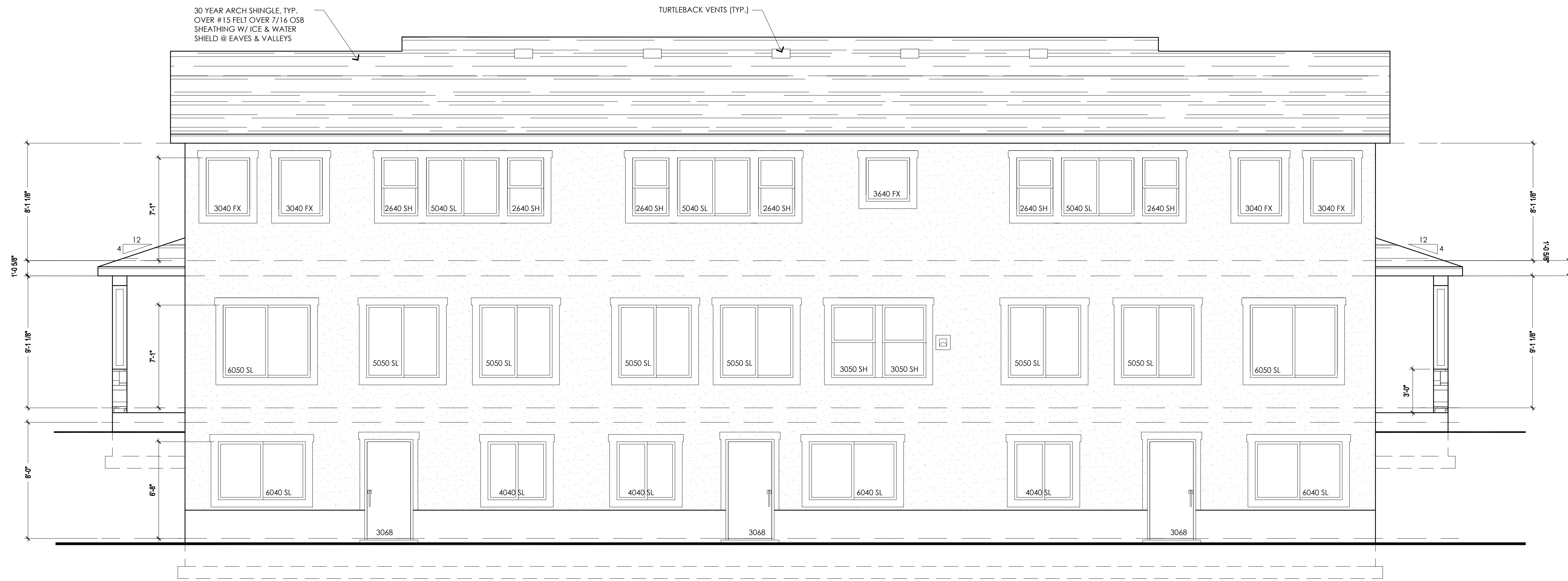
3898 S. SIGMA DR (8215 W)
MAGNA, UT 84044

ELEVATIONS

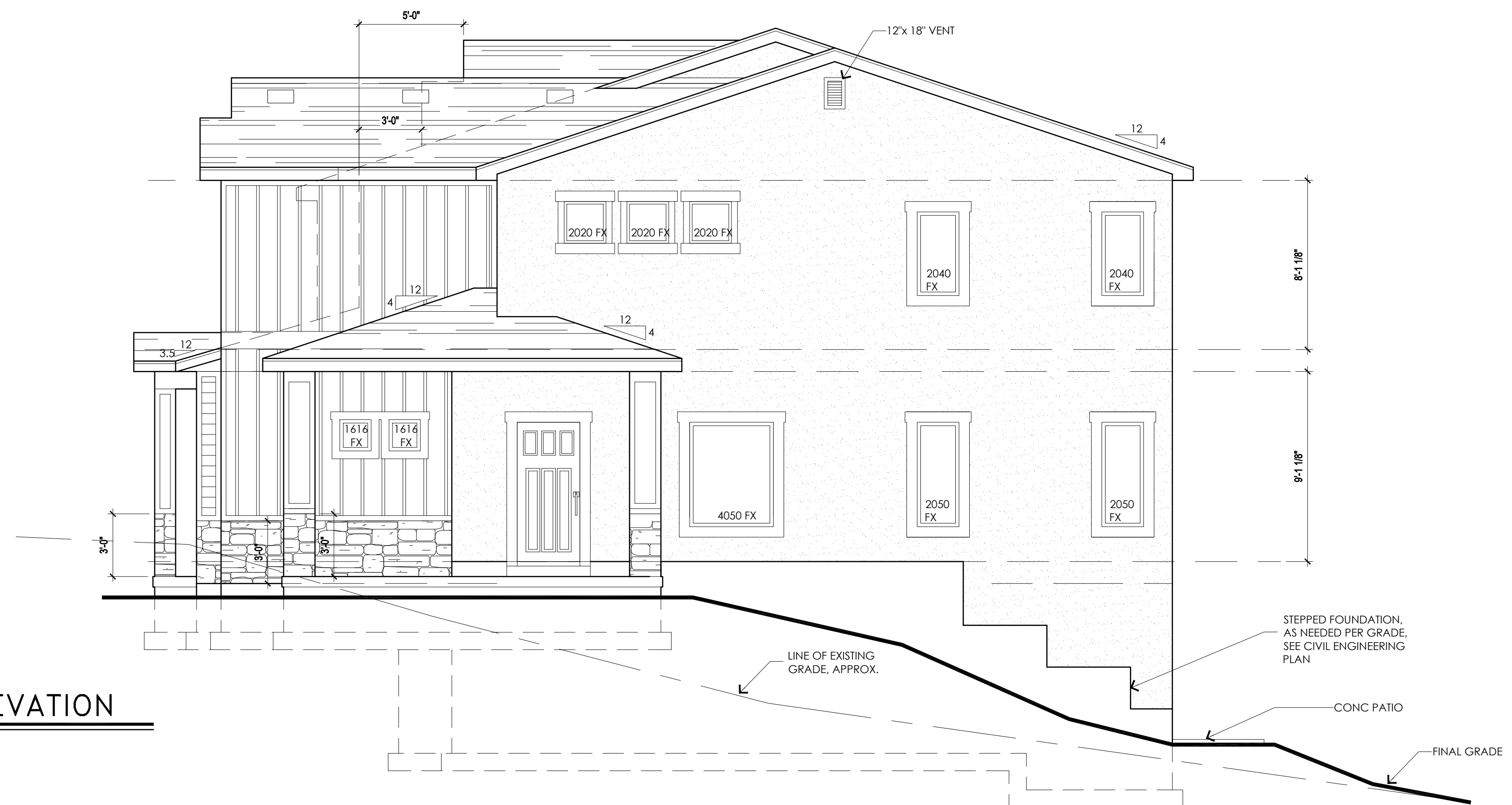
Drawn by:
MRW / MDW
Rev Date:
11/12/2018
Plan Name:
**1377 PLAN
MOORE HOMES**
Release:
06/15/2018

A2.2

THESE DRAWINGS ARE THE PROPRIETARY WORK PRODUCT AND PROPERTY OF LEDGESTONE FOR THE EXCLUSIVE USE ON THIS PARTICULAR RESIDENCE. USE OF THESE DRAWINGS AND CONCEPTS CONTAINED THEREIN WITHOUT EXPRESS WRITTEN PERMISSION BY LEDGESTONE IS PROHIBITED.



REAR ELEVATION



RIGHT ELEVATION